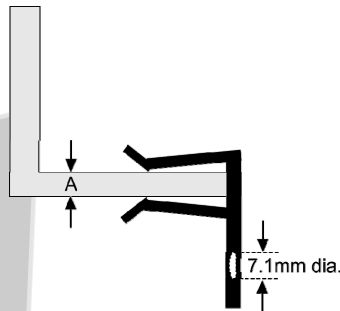


Edge Clips

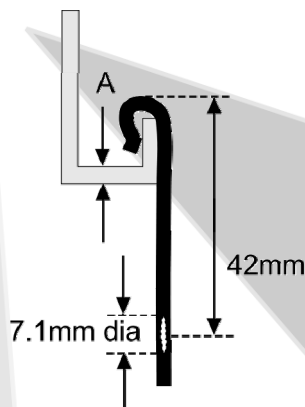
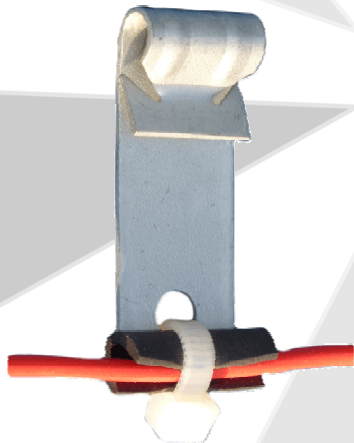
The knock on edge clip is designed for steel work of differing thickness. These fixings are available in mild steel with a zinc rich plated finish which has excellent resistance to corrosion and heat. The Heat Sensing Cable must be secured to the Edge Clip with the neoprene sleeve and tie wrap supplied



PART No	A	Ø mm
FX/2H4	2-3mm	7.1
FX/4H24	3-8mm	7.1
FX/4H58	8-14mm	7.1
FX/4H912	14-20mm	7.1

J Clips

The knock on J clips are suitable for the support of Signaline heat sensing cable from the outer edge of a conventional cable tray. The heat sensing cable must be secured to the J clip with the neoprene sleeve and tie wrap supplied



PART No	A mm	MINIMUM RETURN mm
FX/J1	1.5 - 4	10
FX/J2	4 - 6.5	10